



Multi-purpose helmet

ATR-1

CATALOG



PROTECT WHAT MATTERS

FOREWORD



Dear Reader,

This catalog represents the fulfillment of my dream – or rather, my second dream. The first one was the development of the ATR-1 helmet itself.

The idea of a modular, multi-purpose helmet – designed for a wide range of operations, excluding structural firefighting – has been with me for many years. Turning that idea into reality took time, persistence, and the right partner. The moment I finally put on an ATR-1 for the first time marked the moment my vision turned into a reality.

Over the years, I spoke with numerous established helmet manufacturers, always with the same goal: to develop a true all-round helmet. It was Edwin Busch who recognized the potential of this concept. Together with the team at Busch PROtective, we developed a helmet platform built around the real needs of modern first responders – a system that adapts to the user, not the other way around.

This catalog is designed to support informed decision-making. It provides:

- Clear explanations of relevant certifications and standards in personal protective equipment, helping you define what protection you truly require.
- A detailed overview of the ATR-1 multi-purpose helmet and its key features.
- An extensive range of accessories that significantly expand the helmet's capabilities.

Explore these pages to discover just how adaptable the ATR-1 can be. It's a platform built for customization.

If you would like to learn more about what drives us, you will also find information on our vision and our responsible approach to sustainability.

We think this product speaks for itself – but hope that the following pages give you a clear understanding of who Busch PROtective is, what we stand for, and what makes the ATR-1 multi-purpose helmet unique.

We look forward to get in touch.

PROTECT
WHAT
MATTERS

Christian Jährling,
Sales Channel Manager

A handwritten signature in black ink, appearing to read 'C. Jährling'.

CONTENT

Foreword _____ **01**

ATR-1 – The vision
behind the product _____ **08**

Application matrix _____ **10**

Certifications and standards _____ **12**

ATR-1 product details _____ **20**

Accessories _____ **24**

Product listings
with item numbers _____ **40**

About Busch PROtective _____ **44**

Social media & legal notice _____ **45**

ATR-1 helmet in action



DGzRS – German Maritime Search and Rescue Service

They are available 24/7, in any weather – handling around 2,000 missions every year. Operating across the North and Baltic Seas since 1865. Voluntary. Selfless. Fully supported by donations.

Since 2023, our ATR-1 helmet has been part of their lifesaving gear.

Donate: Sparkasse Bremen
IBAN: DE36 2905 0101 0001 0720 16
BIC: SBREDE22



Tierrettung Essen - Animal rescue

With nearly 2,500 missions since its founding, Animal Rescue Essen e.V. is a trusted partner in North Rhine-Westphalia – helping citizens, police, customs, and fire departments. For over two years, their four-legged friends have known: anyone wearing an ATR-1 helmet is there to help.

Donate: Sparkasse Essen
IBAN: DE17 3605 0105 0002 7022 98
BIC: SPESDE3EXXX

RHOT

Whether searching through debris, water, or open fields – in industrial areas, forests, or bunkers – RHOT Bochum-Essen e.V. and their trained dogs are always on the move. Now, their teams are protected by the ATR-1 helmet.

Donate: Sparkasse Essen AG
IBAN: DE36 3605 0105 0002 1139 42
BIC: SPESDE3E



THE VISION BEHIND THE PRODUCT

ATR-1 – One helmet, endless missions

Sometimes, innovation starts with a simple question. At Busch PROtective, we asked ourselves: **Do traditional helmets still meet the demands of today's missions?**

That question drove us to create a solution that truly reflects the realities faced by modern first responders – that go far beyond conventional firefighting. What used to be the standard is now the exception. Modern firefighters and rescue teams face a wide range of challenges: technical rescue, wildfires, water rescue, high-angle operations, and Urban Search and Rescue.

These missions demand a helmet that is more **versatile, scalable and multi-certified – while remaining lightweight, ergonomic, and sustainable.**

With **the ATR-1**, we've achieved exactly that: we created a true multi-purpose helmet – not a compromise, but a thoughtfully designed platform. Built on our years of experience with modular helmet systems and informed by anthropometric data, the ATR-1 meets numerous standards:

- EN 16471:2014 – Wildland and forest firefighting
- EN 16473:2014 – Technical rescue
- EN 12492:2012 – Mountaineering helmets
- ISO 16073:2011 – PPE for wildfire fighting
- ISO 18639-5:2018 – PPE for technical rescue
- EN 1385:2012 – Canoe & water sports
- PAS 028 – Marine safety helmets
- UIAA 106
- KWF Comfort seal

The ATR-1 is the result of our vision:

A modular helmet platform that adapts to the mission – not the other way around.

Designed for action. Made for people. Three shell sizes (**48–66 cm**) ensure optimal ergonomics, which is crucial for long and demanding operations. Weighing under **750 g** (size H3) with a sleek profile, the ATR-1 stays comfortable and easy to carry while offering top-level protection – even in temperatures down to **–40 °C**

Our tool-free assembly rail makes the helmet ready for action in seconds. Visors attach in a flash with **the Speed-Connect System (SCS) – no tools, no helmet removal required.** Modular eye and hearing protection, as well as communication systems, can be added as needed.

Built with sustainability in mind.

Recyclable materials, machine-washable components, and Busch PROtective's 20 years experience in helmet refurbishment make the ATR-1 a solution for the future. The ATR-1 isn't just a helmet. It's a partner for every mission.

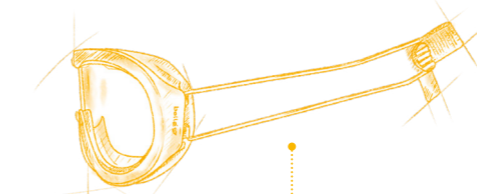
Modular, flexible, lightweight, multi-certified, ergonomic, sustainable.

ATR-1 Configurator

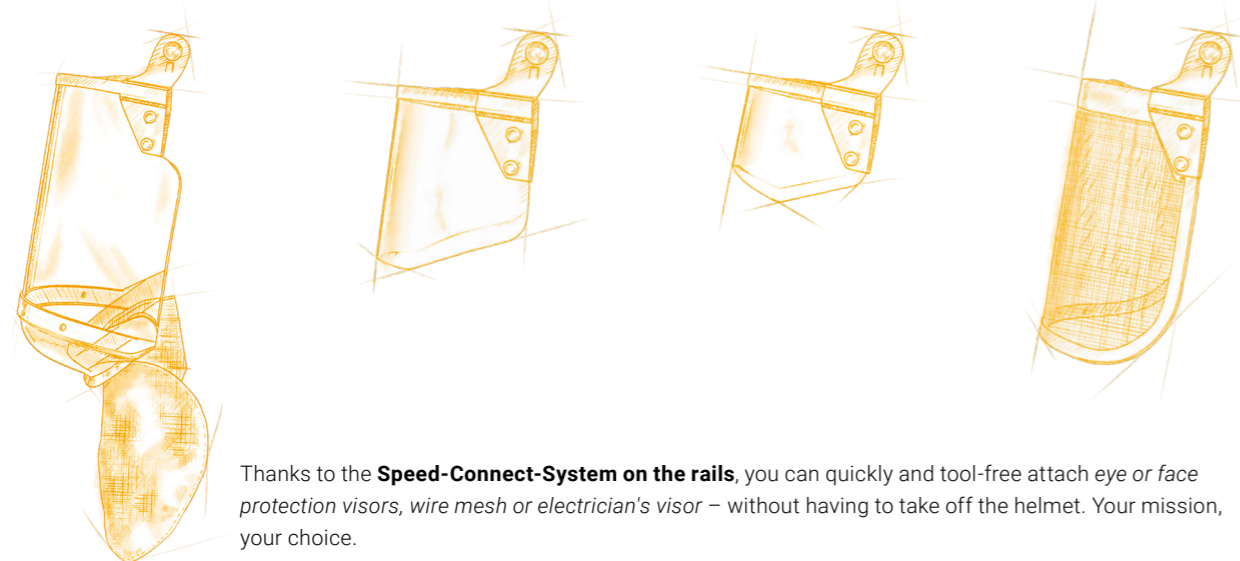
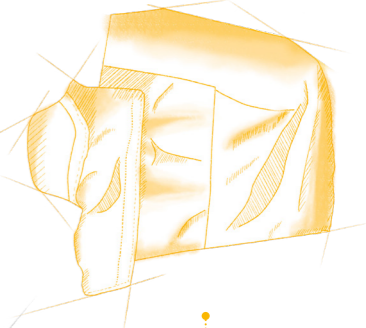
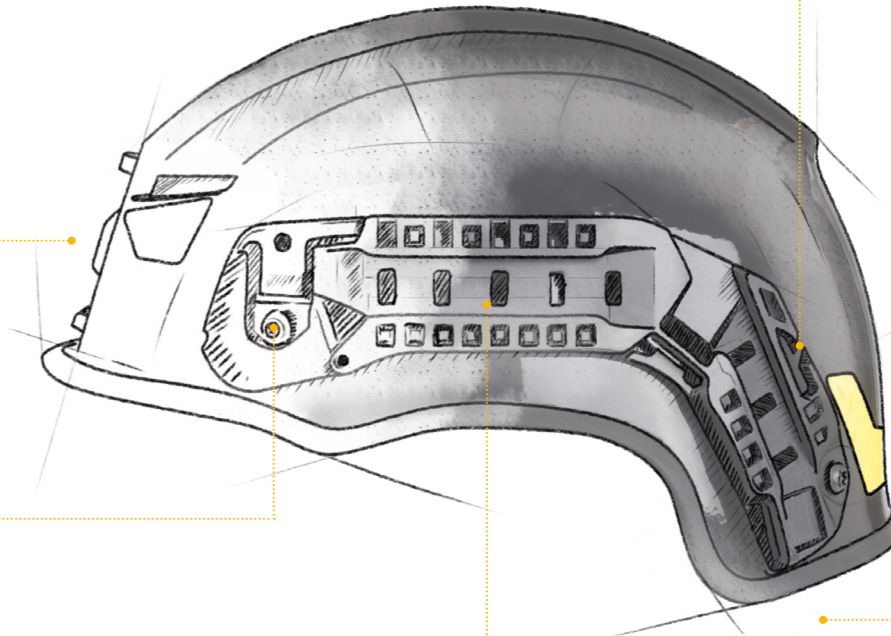
The ATR-1 helmet is a platform with a system of accessories. This allows you to configure the ATR-1 for all hazardous situations – tool-free and in no time.



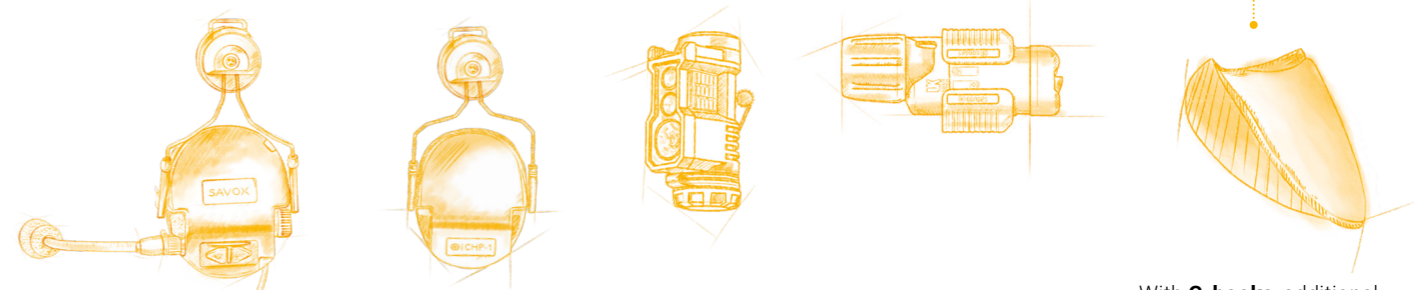
The Universal Headlamp Mount (USH) allows the installation of *headlamps, cameras, identification plates* and much more.



If you prefer to protect your eyes with *goggle* instead of a visor, we have two options that you can also mount **on the rail**.



Thanks to the **Speed-Connect-System on the rails**, you can quickly and tool-free attach *eye or face protection visors, wire mesh or electrician's visor* – without having to take off the helmet. Your mission, your choice.



Even when a visor is mounted, **the rail** remains free for additional accessories. Decide for yourself whether you need *hearing protection, a communication headset or a light* during your mission. Simply snap it into place.

With **G-hooks**, additional accessories can be attached to the helmet, such as *the wildland shroud or the neck guard*.

CERTIFICATIONS AND STANDARDS

Everything you always wanted to know – but never dared to ask.

Spontaneous decisions are great – on vacation, for example. In emergency operations, nothing can be left to chance. Personal protective equipment plays a critical role in safety – and sometimes in life or death situations.

On the following pages, we provide a compact overview of the most important standards and certifications for operational helmets used by fire services, emergency medical services, disaster response, and civil protection. We provide you with the knowledge you need to assess which standards, tests, and certifications that relevant for your organization.

In terms of your vacation? Just see what happens!

GOOD TO KNOW

In Europe, the standardization of personal protective equipment (PPE) is regulated by PPE Regulation (EU) 2016/425 and the corresponding European standards (EN standards), which are mandatory since April 21, 2018. These standards define the health and safety requirements for PPE. Compliance is demonstrated through the CE marking.

PPE Regulation (EU) 2016/425:

This regulation defines the requirements for design, manufacture, and placing on the market of PPE and replaces the former PPE Directive.

CE Marking:

Products that meet the requirements of this regulation must carry the CE mark in order to be placed on the market within the European Union.



EN 16471:2014 – Firefighting helmets for wildland firefighting

Helmets certified to EN 16471 are designed for wildland and vegetation firefighting. The standard focuses on outdoor operations where heat, flames, and impact are the primary hazards. This is different from EN 443, which applies to helmets used in structural firefighting.

Key requirements include:

- Protection against heat
- Protection against flames
- Impact protection
- Comfort factors such as weight, balance, and ventilation

The ATR-1 meets all EN 16471 requirements. It protects against flames, sparks, and mechanical impact. Despite its low weight, it delivers a high level of performance. Balanced weight distribution and effective ventilation allow the helmet to be worn comfortably for extended periods.

In short: the ATR-1 provides certified protection combined with lasting comfort – allowing you to stay focused on the task at hand.

GOOD TO KNOW

ISO vs. EN – What’s the difference?

ISO standards are international and apply worldwide. EN standards are European standards and form the basis for CE marking. For users, this means: EN certification is required for use in Europe. ISO certification shows that a product also meets international standards.

EN standards have a regional scope and often reflect a European adoption of an international standard. When an ISO standard is adopted in the EU, it becomes an EN ISO standard.

Standard	Scope	Meaning for users
EN (European standard)	Europe	Required for CE marking and use in Europe
ISO (International standard)	Worldwide	Demonstrates international compliance



ISO 16073:2011* – Helmets for Wildland firefighting

This standard defines requirements for helmets specifically designed for wildland and vegetation firefighting. These operations take place in environments where sparks, flying particles, radiant heat, and dropping vegetation are constant hazards. The goal is to provide protection without causing heat buildup or additional physical strain.

Typical tests include:

- Protection against radiant heat and sparks
- Temperature resistance up to approx. 180 °C without deformation or melting
- Impact and penetration resistance
- Visibility through reflective elements
- Comfort during extended operational periods, supported by lightweight design and good ventilation

The ATR-1 is certified according to ISO 16073:2011. This means it provides reliable protection during wildland fires while remaining low in weight, comfortable, and secure – even during long operational periods.

In short: the ATR-1 provides proven protection in wildland environments. ISO 16073:2011 stands for tested safety without compromising comfort or visibility.

* Personal protective equipment for wildland firefighting – Requirements and test methods – Part 5: Helmets



EN 16473:2014 – Firefighting helmets for technical rescue

EN 16473 defines the requirements for helmets used in technical rescue operations. The main focus is protection against electrical, mechanical, and chemical hazards. Thermal protection is also required.

Key requirements include:

- Shock absorption
- Penetration resistance
- Protection against electrical hazards
- Chemical resistance
- Comfort factors such as weight, fit, and ventilation

The ATR-1 is tested and certified according to EN 16473. It provides reliable protection in demanding operational scenarios – from traffic accidents to search and rescue operations and technical assistance. Thanks to its low weight and well-designed ventilation, it remains comfortable even during long deployments.

In short: the ATR-1 provides safety for a wide range of rescue operations, combined with a high level of wearing comfort – allowing responders to focus fully on their task.



ISO 18639-5:2018* – helmets for special rescue operations

This standard defines minimum requirements for helmets used in special rescue operations, such as traffic accidents or search and rescue (USAR) missions following earthquakes. These operations involve risks such as dropping debris, impact loads, or limited chemical exposure. This standard assesses helmet design, material quality, and how it was tested.

Firefighting operations and other high-risk scenarios, such as chemical or biological hazards, are intentionally excluded.

The ATR-1 meets the requirements of ISO 18639-5 and is thus ideal for technical rescue operations involving traffic incidents or entry into collapsed structures. It is light, robust, and designed to remain comfortable during long and demanding operations—without compromising protection or certification standards.

In short: ISO 18639-5 serves as proof of quality for helmets used in technical and urban rescue, where mission-appropriate protection, reliably tested materials, and comfort are equally important. The ATR-1 demonstrates its versatility here.

* Personal protective equipment ensembles for firefighters during special rescue operations – Part 5: Helmet



EN 12492:2012 – Helmets for mountain rescue and work at heights

EN 12492 defines safety requirements and test methods for mountaineering helmets. Certified helmets protect against hazards which can occur during climbing activities. Whether in mountain rescue or work at heights, every second counts. Protective equipment must perform reliably in the event of falls, falling objects, or mechanical impact.

Helmets certified according to EN 12492:2012 provide:

- Protection against mechanical impact
- Ventilation
- Reduced risk of the helmet being ripped off during a fall

The ATR-1 helmet is thoughtfully designed and offers good ventilation as well as high wearing comfort throughout long deployments.

In short: EN 12492 is essential for high-angle rescue and rope rescue operations.

Worldwide, only 1.32% of all operations involve interior structural firefighting.

CTIF – International Association of Fire and Rescue Services, World Fire Statistics 2023.



UIAA 106 – Additional safety for operations in extreme conditions

The UIAA safety label is a clear indicator of maximum protection. A UIAA safety label on a product means that samples of the equipment have been tested by an accredited, independent third party and have been shown to meet the requirements defined by the UIAA standard.

UIAA safety standards are regularly reviewed and updated by the UIAA Safety Commission. This ensures that they continue to reflect changing market conditions as well as the evolving demands of climbing and mountaineering.

The UIAA 106 standard for helmets builds on the proven requirements of EN 12492 and adds an additional level of safety:

- Energy absorption test (vertical impact)
- Higher requirement: UIAA ≤ 8 kN | EN ≤ 10 kN
- Energy absorption test (frontal, lateral, and rear impact)
- Higher requirement: UIAA ≤ 8 kN | EN ≤ 10 kN
- Penetration test
- The tip of the cone must not contact the headform.
- Chin strap strength test
- 500 N; the chin strap may not stretch more than 25 mm.
- Retention test (frontal and rear)
- The helmet must not come off the headform.

In short: helmets carrying the UIAA safety label are well suited for rescue operations that demand the highest level of PPE safety.

<https://www.theuiaa.org/safety/certified-equipment/>



EN 1385:2012 – Helmets for canoeing and whitewater sports

EN 1385:2012 defines requirements for helmets used in whitewater scenarios. Originally developed for canoeing, the standard is now also widely applied in water rescue. It ensures that helmets provide reliable protection in extreme water conditions and remain securely fastened on the head.

Tests include, among others:

- Impact absorption: protection against hard impacts in water or against obstacles
- Fit and stability: the helmet must not shift or come off in currents or during submersion
- Retention (chin strap): the fastening system must hold securely without stretching or tearing
- Field of vision and comfort: clear visibility and comfortable wear over extended operational periods

For water rescue responders, this means: EN 1385 helmets provide certified protection in currents, during impact, or when submerged. They stay securely in place when every second counts.

In short: EN 1385 ensures reliable protection for water rescue missions, allowing rescuers to fully focus on the people in need.

EN 14458:2018 – High-performance visors for protective helmets

EN 14458:2018 defines requirements for visors that must only be used in combination with protective helmets (such as EN 443, EN 16471, EN 16473, EN 14052). The standard distinguishes between different visor types and designs, ensuring that visor solutions are precisely matched to operational needs.

In technical rescue and wildland firefighting, the right visor provides the required eye and face protection.

Under EN 14458, the following visor types are certified:

- Eye visor when lightweight, focused protection is sufficient
- Face visor with heat protection when exposure to sparks or heat is expected
- Mesh visor when mechanical hazards are the primary concern

In short: EN 14458 ensures that you get the right visor for the job – matched to the situation, safe, and compatible with your helmet.

EN 166:2001 becomes EN ISO 16321:2022 – personal eye protection in transition

For decades, EN 166:2001 was the European standard for safety eyewear and face protection. Since its introduction in 2001, it provided reliable protection against mechanical impact, radiation, and chemical hazards based on standardized test methods and markings.

Transition to the new standard: EN ISO 16321

Since May 2022, EN 166 has been replaced by the international standard series EN ISO 16321, which will become the sole valid standard for new certifications as of November 11, 2025.

Validity of existing certificates: Products certified under EN 166 remain valid until their official expiration date, but no longer than five years. For example, eyewear certified by October 31, 2024 may continue to be sold until October 31, 2029. There is no sell-through deadline for existing stock.

What's new in EN ISO 16321-1:2022?

The new standard introduces significant updates, including:

- Higher standard protection with new tests such as heat resistance over 120 minutes (double the duration compared to EN 166)
- High-speed impact tests in three levels (C, D, E) with defined protection zones (OPZ, EOZ, FPZ)
- Penetration test at visor gaps: maximum opening of 1.5 mm permitted
- Numerous new optional tests, including protection against radiation, liquid splash, molten metals, chemical resistance, anti-fog performance, high temperatures, explosive atmospheres, and more
- New marking system indicating protection against UV (U), IR (R), glare (G), welding (W), high-speed impact (C, D, E), etc.

In short: EN 166 set the standard for many years. EN ISO 16321 adapted to the future – offering higher protection levels, more detailed requirements, and improved suitability for international operations.

Of all firefighting operations, only 33.6% involve interior structural firefighting.

CTIF – International Association of Fire and Rescue Services, World Fire Statistics 2023.

EN 352-3:2021 – Making hearing protection part of the helmet

In technical rescue operations, construction environments, or when operating loud equipment, hearing protection must function reliably while being fully compatible with the helmet system worn by the user.

EN 352-3 – certified earmuffs provide:

- Proven noise attenuation, even when combined with a helmet
- Compatibility with different helmet models, either fully tested (base model) or validated through a supplementary assessment
- Durability and comfort, due to robust materials, comfortable ear cushions, and secure mounting
- Clear user information, including head size range, care instructions, and helmet compatibility

In short: EN 352-3 ensures that hearing protection and the helmet function as a single system – safe, comfortable, and flexible in use.

helmet provides high comfort and unrestricted movement, even during long deployments.

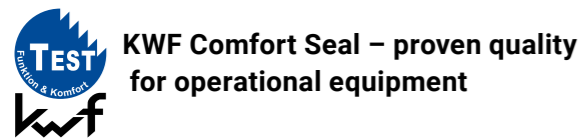
- Test methods: A combination of laboratory tests and field evaluations, ranging from technical performance measurements to real-world operational assessments.

Why does this matter?

A KWF seal confirms quality beyond basic standard requirements. Products bearing the KWF Comfort Seal offer high wearing comfort and reliable performance—safety you can feel.

In short: The ATR-1 carries the KWF Comfort Seal – a clear mark of verified quality and noticeable wearing comfort in the field.

<https://kwf2020.kwf-online.de/untersuchungsliste/>
Info: Tick the box “Show archived exams” and enter exam number 11778.



The KWF seal identifies products tested by the Kuratorium für Waldarbeit und Forsttechnik e. V. (KWF). The testing of the organization is independent, practice-oriented, and focused on safety, ergonomics, and quality.

What does the seal stand for?

- The Institution: For decades, KWF has evaluated equipment and protective gear for forestry and rescue operations, using objective, user-focused criteria.
- ATR-1 with KWF Comfort Seal: The ATR-1 has been awarded the KWF Comfort Seal. Testing focused on wearing comfort, fit, and ergonomics. The result: the



*Chris Grüne
 Paramedic
 Instagram: notruf.frankfurt*

ATR-1

MODULAR DESIGN, ENHANCED PROTECTION,
AND LOW WEIGHT FOR ALL OPERATIONAL AREAS
EXCEPT STRUCTURAL FIREFIGHTING

The ATR-1 is a multipurpose helmet designed for technical rescue, search and rescue operations (USAR), wildland and vegetation firefighting, rope rescue, water and whitewater rescue, and emergency medical services. It sets new standards in personal protective equipment.

The helmet was developed based on differentiated hazard analyses and specific operational requirements. This resulted in a versatile helmet suitable for a wide range of applications. Thanks to its modular design, the protective capability of the ATR-1 can be expanded individually and adapted to the respective operational scenarios.

Key features of the helmet:

- Increased protection against penetration and improved impact absorption
- Three helmet shell sizes for optimal adaptation to different head sizes
- Side rails and an integrated front mount for attaching various accessories
- Accessories 100% applicable to the helmet, EU norm-tested and approved
- Easy adaptation to different operational scenarios thanks to the modular design
- High wearing comfort through special padding that adapts to the wearer, a 4-point chin and neck strap, and a dial adjustment system
- Thermally resistant helmet shell for high durability under heat exposure
- Interior components specifically designed for long-duration operations
- Low weight for fatigue-reduced work
- Compact helmet profile for use in narrow or confined spaces



Signal black (RAL 9004)



White (RAL 9016)



Luminous yellow (RAL 1026)



Zinc yellow (RAL 1018)



Luminous red (RAL 2005)



Red (RAL 3020)



Luminous yellow (RAL 1026)
+ photoluminescent



Sky blue (RAL 5015)



Photoluminescent



Pure orange (RAL 2004)

USH – Universal headlamp mount

Front-mounted holder for quick and secure attachment of headlamps, cameras, and other accessories.

Air circulation

Integrated ventilation system for effective airflow and a comfortable internal climate, even during long deployments.

Enhanced protection

High-quality thermoset helmet shell made of carbon fiber-reinforced SMC (Sheet Molding Compound) for maximum penetration resistance and impact absorption.

360° visibility

Reflective strips as standard equipment which ensure all-round visibility in any operational situation.

SCS – Speed Connect System

Tool-free quick-mount system for visors, allowing the installation of additional equipment without removing the helmet.

CMR-1 – Multifunction rail with Speed Connect System

Side-mounted rail for quick attachment of visors, hearing protection, communication systems, lighting, and more.



360° visibility

via reflective strips

Wheel-dial fit system

One-hand adjustment system with wheel dial for fast, precise fitting to different head sizes

Ventilation system
for effective airflow

EPDM edge protection



SPECIFICATIONS

Material	SMC – carbon fiber-reinforced thermoset
Coating	Two-component coating (2K)
Type	High-cut
Edge protection	EPDM profile rubber
Available colors	High-visibility yellow (RAL 1026, also available photoluminescent), Zinc yellow (RAL 1018), White (RAL 9016), Signal black (RAL 9004), High-visibility red (RAL 2005), Pure orange (RAL 2004), Red (RAL 3020), Sky blue (RAL 5015), Photoluminescent (no RAL specification)
Weight (including harness, interior, rail system, reflective markings)	Size H1: approx. 680 g (± 3%) Size H2: approx. 700 g (± 3%) Size H3: approx. 720 g (± 3%)
Impact absorption	Impact absorption EPP/ CPP-1 pad system
Harness	CRD-1 SV harness system
Size range	H1: 48–56 cm, H2: 54–62 cm, H3: 58–66 cm
Interfaces	CMR-1 rail system, SCS visor system, Integrated front mount (headlamp)

STANDARDS / CERTIFICATIONS

- EN 16471:2014
- EN 16473:2014
- EN 12492 :2012
- EN 1385:2012
- ISO 16073:2011
- ISO 18639-5:2018
- PAS 028:2002
- UIAA 106
- UKCA
- Kwf

ACCESSOIRES

BOLLÉ CHRONOSOFT H (WITH CMR-1 MOUNT)

PROTECTIVE GOGGLES, OPTICAL INSERT

Protective goggles – Item No. 80002213

Optical insert – Item No. 80002214

Certified toDIN EN 166:2002-04, DIN EN 170:2003-01, STANAG 2920

Weight138 g

Material (frame/lens)Kraton / polycarbonate (PC)

Lens marking2C-1,2

Mechanical strengthBT 9 kN

Ventilationclosed system (non-ventilated)

Headbandadjustable and replaceable

Ideal fortechnical rescue, wildland firefighting, and operational scenarios with increased protection requirements

The BOLLÉ Chronosoft H is a full-seal protective goggle designed for emergency responders in a wide range of operational scenarios. Its heat-resistant frame withstands extreme conditions and offers durability and wearing comfort, even during long deployments. The anti-fog double lens with the Bollé Equalizer™ system ensures clear vision under all conditions. Ballistic protection in accordance with STANAG 2920 and EN 166 provides reliable protection against mechanical hazards. Using the supplied Busch PROtective mount, the goggles can be securely and quickly attached to the helmet's CMR-1 rail system.

Option: The optical insert is an ideal solution for responders who require corrective lenses. It can be easily fitted into the Bollé Chronosoft H goggles and provides a secure fit that remains stable during demanding operations. Once the Bollé optic insert has been supplied, a visit to an optician is required.



UVEX MEGASONIC WILDLAND (WITH CMR-1 MOUNT)

FULL-SEAL GOGGLES

Available directly from the manufacturer.

Certified toDIN EN 166:2002-04, DIN EN 170:2003-01, STANAG 2920

Weight95 g

Material (frame/lens)plastic / polycarbonate (PC)

Coatinguvex supravision® ETC, clear

Lens marking2C-1,2

Mechanical strengthBKTN

Ventilationclosed system (non-ventilated)

Headbandadjustable, adaptable, and replaceable

Ideal fortechnical rescue, wildland firefighting, and operational scenarios with increased protection requirements

The UVEX Megasonic was developed specifically for use under extreme conditions, such as wildland firefighting. Its clear polycarbonate lens with uvex supravision® ETC coating provides a wide panoramic field of view and reliable UV protection up to 400 nm, while remaining fog-free. The closed ventilation system protects against smoke and particles. Thanks to its soft, adaptive facial seal, the goggles provide a pressure-free and tight fit even during long deployments, regardless of face shape or head size. The large internal volume and lateral cut-outs also make them suitable for prescription eyewear users.

The silicone-coated, flame-retardant headband ensures a secure fit, even during movement and heat exposure. When used with the ATR-1 helmet (e.g. with the CMR-1 rail system), the goggles integrate seamlessly into the protective equipment setup.

CGC-1 PROTECTIVE POUCH FOR GOGGLES

Item No. 80001711

Weight45 g

Dimensionsapprox. 27.5 × 10 × 5 cm

Colorblack

Materialnylon

The CGC-1 protective pouch is a lightly padded flap-closure case for protective goggles. The flap features an 8 × 1.5 cm loop panel for name or identification labeling.





Eye-guard (SC 70)



Face-guard (STD 120)

CTV-1 PC 2 SC 70 / CTV-1 PC 2 2 STD 120

EYE AND FACE PROTECTION VISORS

Item No. – see table p. 39

Certified toEN 14458:2018 and EN 166:2002

WeightSC 70 – 110 g / STD 120 – 150 g

SizesH1, H2/H3 – matched to
helmet size

Length70 mm / 120 mm

Thickness2 mm

Radius113 mm (H1), 121.5 mm (H2/H3)

MaterialPolycarbonate (PC)

Featuresdouble-sided anti-scratch
coating, sealing lip

The CTV-1 eye and face protection visors provide protection against mechanical, liquid chemical, and basic physical hazards. Quick and easy attachment and removal is enabled by the SCS (Speed Connect System).

Eye and face protection visors made of polyphenylsulfone (**CTV-1 PPSU 2 SC 70 and STD 120**) are currently under development. The resulting visors will feature high flame resistance and excellent impact strength.

CTV-1 WM WIRE MESH VISOR

Item No. – H1: 70001670 / H2: 70001671 / H3: 70001696

Certified toEN 14458:2018, EN 1731:2006

Weight168 / 170 / 172 g

SizesH1, H2, H3 – matched to
helmet size

MaterialStainless steel (wire Ø 1.2 mm,
mesh Ø 0.4 mm)

The **CTV-1 WM wire mesh visor** is a face protection visor made of robust stainless steel mesh, designed for protection during chainsaw operations. The inside surface features an anti-reflective coating to reduce potentially disturbing reflections. Tool-free attachment and removal is enabled by the SCS (Speed Connect System).

CTV-1 ELECTRICIAN'S VISOR

Item No. 70009348

Certified toEN 166:2001, EN 170:2003,
GS-ET-29 (2011)

Weight342 g

MaterialPolycarbonate, Nomex

Electrician's visor with chin guard for work involving high electrical voltage up to 1,000 V (test current 7 kA at 0.5 s – Class 2). Quick and tool-free attachment and removal is enabled by the SCS (Speed Connect System).



MSP-1 SUN PROTECTION FILTER

Item No. 70001524

Certified toISO EN 16321:2022

Weight43 g

MaterialPolycarbonate (PC) visor lens

Lens marking16321 BPG UL3 GL3 CE

Filter categoryUL3

Ideal forhigh-angle rescue, SRHT, water
rescue, crane operators, aerial
ladder operators, and drone
pilots

The **MSP-1 sun protection filter** reduces exposure to UV radiation up to a wavelength of 400 nanometers. It is intended for use with helmets and certified face shields in accordance with PPE regulations.





CHP-1 PASSIVE EAR MUFF HEARING PROTECTION (WITH COM-1 RAIL ADAPTER)

Item No. 70001672

Certified toEN 352-3:2020
Weight240 g
ColorBlack
SNR27 dB (medium)

The CHP-1 ear muff with passive hearing protection is robust, durable, and designed for long-term comfort while providing effective noise attenuation. It has been tested and certified in accordance with EN 352-3:2020 in combination with the ATR-1 helmet. The hearing protection can be mounted to and removed from the CMR-1 rail system quickly and without tools.

SAVOX NOISE-COM 200

ACTIVE EAR MUFF HEARING PROTECTION
 WITH COMMUNICATION INTERFACE AND RAIL ADAPTER

Item No. – see specifications / connector configuration

Certified toEN 352-3
Tested toMIL-STD-810, EU type-examined
Weight375 g
ColorBlack
SNR28 dB (medium)
Power supply2 × AAA batteries (approx. 250 hours operating time)
Connector options.....NEXUS (4-pin), fire service wiring (Item No. 70001641)
 Angled jack plug (3-pin), Ø 3.5 mm (Item No. 70001642)
 NEXUS (4-pin), NATO U174 wiring (Item No. 70002048)
 NEXUS (4-pin), 3M Peltor wiring (Item No. 70002220)
 NEXUS (5-pin), DELSAR wiring (Item No. 70002219)
 Other connector options available upon request

The SAVOX Noise-COM 200 is designed for emergency responders such as fire services, rescue teams, disaster response units, police, and military personnel. Its slim profile integrates seamlessly with the Busch PROtective ATR-1 helmet. Thanks to its hear-through function, the system provides excellent situational awareness while maintaining reliable hearing protection. Additional features include high wearing comfort, automatic shut-off after two hours of inactivity, and a voice-guided menu for intuitive audio adjustment. **Note:** The SAVOX Noise-COM 200 in the DELSAR configuration is compatible with the SAVOX DELSAR USAR kit (microphones and SearchCam) and has been tested and certified to EN 352-3:2020 in combination with the ATR-1 helmet.



CWS-1 – WILDLAND SHROUD

Item No. 80002101

Weight150 g
Material.....Carbon X

The CWS-1 wildland shroud protects the face, neck, and nape from sparks and heat exposure. It allows the integration of an FFP2 mask with valve and is supplied with hook-and-loop loops and strap connectors. When not in use, the hood can be folded up and worn on the helmet in standby mode.



CTN-1 NECK PROTECTION

Item No. 70001102

ColorBlack
Weight150 g
Outer material.....Coated meta-aramid

The CTN-1 neck protector is the standard neck protection for the Busch PROtective ATR-1 helmet. It is attached to the helmet using two G-hooks and hook-and-loop fasteners. The protector is flame-retardant, offers protection against moisture and chemicals, and provides a form-stable, full-coverage seal for a secure fit.





CCH-1 ADAPTER FOR SCORPION HEADSET*

Item No. 80002021

Weight90 g
MaterialPolyamide PA6

The **CCH-1 adapter** for the HOLMCO Scorpion system, compatible with all HL-09 series models, allows headsets to be quickly mounted to or removed from the CMR-1 rail system without the use of tools. It can be adjusted precisely in both horizontal and vertical directions and mounted on either the left or right side of the CMR-1 rail.

The Scorpion HL-09 headset with noise-compensating electret microphone and coiled cable is available in three gooseneck lengths (90 mm, 165 mm, 215 mm) as well as with various connector options.

* Scorpion headset not included.



PRINCETON TEC VIZZ II MLPS

HEADLAMP

Item No. 80001973

Weight92 g (with batteries)
ColorBlack
Water resistanceIPX7
Batteries3 × AAA alkaline (included)
Maximum runtime102 hours
Maximum output200 lumens
Distance beam1 LED
Flood beam4 LEDs
IRNo
Colored LEDsNo
ETL approvalClass I Division 1 Groups A, B, C & D; Class II Division 1 Groups E, F & G; Class III Division 1
IncludedUSH adapter plate, mount for MOLLE and/or nylon head straps

The **VIZZ II** offers two beam profiles. Press or hold the button to switch between a focused Max-bright LED spot beam (200 lumens, up to 60 m) and a dimmable Ultrabright LED flood beam.

NEXTORCH oSTAR

HEADLAMP

Available directly from the manufacturer.

Weight132 g (with battery)
ColorBlack
Water resistanceIPX4
Battery1 × USB-C rechargeable Li-ion, 3400 mAh
Maximum runtime60 hours
Maximum output500 lumens
Distance beam1 LED
Flood beamNo
IRNo
Colored LEDsNo
IncludedUSH universal adapter for helmet mounting

The **oStar** delivers a 131-meter beam while only weighing 132 g. Its 180° swivel head ensures light can be directed precisely where needed. The included 18650 USB Li-ion battery (3400 mAh) provides reliable power and is protected against short circuit, overcharge, and deep discharge.



PRINCETON TEC GHOST X**

HEADLAMP

Item No. 80002642

Weight80 g (with batteries)
ColorBlack
Water resistanceIPX8
Batteries1 × CR123 or 1 × AA (Dual Fuel)
Maximum runtime100 hours
Maximum output400 lumens
Distance beam1 LED
Flood beam-
IR940 nm IR output
Colored LEDsBlue, Green, Red
ETL approvalNo
IncludedUSH universal adapter, mount for MOLLE and/or nylon head straps

The **Ghost X** provides two beam profiles, controlled via a programmable RGB button. It can be mounted on the front of the USH or on the side of the CMR-1 rail.
 ** Available from July 2026.





USH UNIVERSAL ADAPTER

Item No. 80002297

Material Plastic

The quick-release universal mount is removable and compatible with the USH helmet interface. It allows a fast and easy attachment of headlamps, cameras, and other accessories.

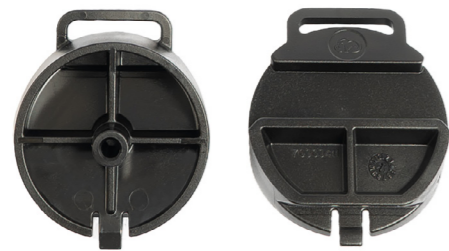


CHE-3 STRAP EXTENSION

Item No. 70001700

Material FR webbing and
FR plastic buckle

The **CHE-3** strap extension is compatible with the CRD-1 SV chinstrap system and allows quick adjustment of the chinstrap when using a respirator mask. This ensures the helmet remains securely in place without affecting the mask's seal.



COM-1 RAIL ADAPTER

Item No. 70000705

Material Polyamide PA

Color Black

The **COM-1 rail adapter** enables seamless integration of most common hearing protection systems, such as 3M Peltor and SAVOX, with the Busch PROtective CMR-1 rail system.



HOOK-AND-LOOP STRIP – REAR ACCESSORY / REPLACEMENT

Item No. 70002072

Material FR hook-and-loop fabric

Dimensions 120 x 20 mm

Self-adhesive rear **hook-and-loop strip** for attaching accessories or name tags for clear identification.

CNB-1 PLAIN PLASTIC PLATE

Item No. 80002301

Material Polyamide (PA6)

A plastic plate designed for mounting in the USH interface on the front of the ATR-1 helmet. Customization is possible (see examples below).





TSB-1 XL LARGE HELMET BAG

Item No. 80001606

Material High-quality nylon
Dimensions 370 x 330 x 190 mm

The TSB-1 XL is a robust, padded bag designed for the secure transport and storage of a helmet, visor, and accessories. A long zipper allows quick access, and a flat interior pocket provides additional storage. Loops and a transparent ID window allow for individual labeling.



TSB-1 HELMET BAG

Item No. 80000467 **Item No. 80000467**

Material High-quality nylon
Dimensions 300 x 280 x 420 mm

The TSB-1 helmet bag is an ideal solution for storing and transporting a helmet. It is made of durable nylon and features two practical compartments, hook-and-loop areas, and an ID window.



TAG-1 ACCESSORY BAG - PLACED INSIDE THE HELMET

Item No. 80001763

Weight 180 g
Dimensions approx. 17 x 14 x 10 cm
Color Black
Material 600D polyester

The TAG-1 is a padded zippered bag for helmet-related accessories such as goggles, headlamps, or batteries. It can be fit inside the helmet when not in use and provides attachment points for name tags on both sides and the top. A neoprene spider on the top allows the chinstrap to pass through, keeping the bag securely fixed inside the helmet.



TSP-1 HELMET POUCH

Item No. 80001629

Material Micro-Lycra
Dimensions 455 x 375 mm

The TSP-1 helmet pouch provides secure transport and protective storage for the helmet. The drawstring closure doubles as a carrying strap, keeping the helmet well-protected and easy to carry at all times.



TVB-1 L VISOR BOX (LARGE)

Item No. 80002525

Material Jersey fabric
Dimensions L 285 x W 310 x H 130 mm

The Busch PROtective EVA visor box in size L offers optimal protection for your visor. It is lightweight, shape-stable, and visually appealing. The box ensures safe transport to the field and organized storage in vehicles. A name tag attachment allows clear identification.



TVB-1 S VISOR BOX (SMALL)

Item No. 80002524

Material Jersey fabric
Dimensions L 245 x W 195 x H 130 mm

The Busch PROtective EVA visor box in size S provides optimal protection for your visor. It is lightweight, shape-stable, and visually appealing. The box ensures safe transport to the field and organized storage in vehicles. A name tag attachment allows clear identification.



HELMET MOUNTING RING

Item No. 80001789

Material PU
Weight 320 g

The Busch helmet mounting ring is the ideal solution for individual modifications or repairs to the Busch PROtective ATR-1 helmet. It provides a secure stand during work and reliably protects the helmet from damage.



REFLECTIVE STICKER SET

SPARE PART

Yellow: Item No. 70001682

Silver: Item No. 80002217

Material Orafol Oralite® Ultra Brilliance Series (yellow), Orafol GP-30 (silver)

Color Yellow (fluorescent lime diamond plate pattern), Silver

Scope of delivery Set of four reflective stickers



CPP-1 SOFT PAD SET

SPARE PART

Item No. 70000179

Material Foam, viscoelastic foam, synthetic leather

Attachment Hook-and-loop fastener



EPP-1 SET FOR ATR-1

SPARE PART

Item No. 70009244

Material Expanded polypropylene (EPP)

Attachment Hook-and-loop fastener (hook / loop)

Expanded polypropylene (EPP) is a lightweight, closed-cell foam known for its exceptional energy absorption, high strength-to-weight ratio, and elasticity. It also offers good thermal insulation and chemical resistance and is 100% recyclable. EPP is designed to withstand multiple impacts without sustaining significant damage.



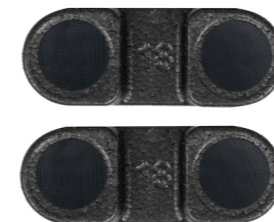
CUSTOMER-SPECIFIC STICKERS

SERVICE

Item No. 70002119

Material 3M reflective film, Series 580E

Helmet customization can be carried out using 3M reflective film from the 580E series, which is tested and approved in all standard colors. Subject to change.



EPP PAD SET (2 x 18 MM)

ACCESSORY / SPARE PART

Item No. 80001789

Material Expanded polypropylene (EPP)

Weight 18 g

The 18 mm EPP pads are designed for users with a narrow or elongated head shape. They replace the standard 12 mm EPP pads on the sides of the helmet and increase the padding thickness by 6 mm, ensuring a secure and comfortable fit.



CRD-1 SV REPLACEMENT STRAPS

SPARE PART

Item No.
H1: 70009165 / H2: 70009176 / H3: 70009177

MaterialFR webbing
SizesH1, H2 and H3
ColorBlack
ClosureBuckle



CAH-2 HELMET HOLDER

Item No. 70001353

MaterialDurable webbing with plastic buckles and magnetic closure
ColorBlack
Attachmentvia G-hook for mounting on the rear of the helmet. A loop with snap buttons allows attachment to a duty belt or tactical vest



G-HOOK

SPARE PART

Item No. 80000999

MaterialAluminum
ColorBlack

Used for attaching accessories such as neck protectors, wild-land shroud, and similar items. The G-hook is threaded through the webbing to secure the accessory.

In cooperation with German Fire-Tech, we offer lamp adapters for the Busch CMR-1 rail system. Together, we have developed a base adapter that allows a wide range of commercially available lamps – such as those from Parat, Adalit, and many others – to be mounted on the Busch CMR-1 rail.

German Fire-Tech

Phone: 09162 9281150
Email: info@german-fire-tech.de
Website: www.german-fire-tech-shop.de



UK 2AA ELED



PARAT – SIDE-MOUNTED ADAPTER



FR STRAP PAD

SPARE PART

Item No. 80002205

ColorBlack

The Busch PROtective FR strap and chin pad is wrapped around the webbing in the area of the buckle. It was developed specifically for ATR-1 helmets.



ADALIT – SIDE-MOUNTED ADAPTER



UK – SIDE-MOUNTED ADAPTER

Item Name	Color	Item No.
Busch Protective ATR-1 Helmet	Photoluminescent H1	70006061
Busch Protective ATR-1 Helmet	High-Visibility Yellow (RAL 1026) H1	70006062
Busch Protective ATR-1 Helmet	High-Visibility Red (RAL 3024) H1	70006063
Busch Protective ATR-1 Helmet	Signal Black (RAL 9004) H1	70006064
Busch Protective ATR-1 Helmet	Red (RAL 3020) H1	70006065
Busch Protective ATR-1 Helmet	Zinc Yellow (RAL 1018) H1	70006066
Busch Protective ATR-1 Helmet	White (RAL 9016) H1	70006067
Busch Protective ATR-1 Helmet	Sky Blue (RAL 5015) H1	70006068
Busch Protective ATR-1 Helmet	Pure Orange (RAL 2004) H1	70006069
Busch Protective ATR-1 Helmet	Photoluminescent H2	70006088
Busch Protective ATR-1 Helmet	High-Visibility Yellow (RAL 1026) H2	70006089
Busch Protective ATR-1 Helmet	High-Visibility Red (RAL 3024) H2	70006090
Busch Protective ATR-1 Helmet	Signal Black (RAL 9004) H2	70006091
Busch Protective ATR-1 Helmet	Red (RAL 3020) H2	70006092
Busch Protective ATR-1 Helmet	Zinc Yellow (RAL 1018) H2	70006093
Busch Protective ATR-1 Helmet	White (RAL 9016) H2	70006094
Busch Protective ATR-1 Helmet	Sky Blue (RAL 5015) H2	70006095
Busch Protective ATR-1 Helmet	Pure Orange (RAL 2004) H2	70006096
Busch Protective ATR-1 Helmet	Photoluminescent H3	70006115
Busch Protective ATR-1 Helmet	High-Visibility Yellow (RAL 1026) H3	70006116
Busch Protective ATR-1 Helmet	High-Visibility Red (RAL 3024) H3	70006117
Busch Protective ATR-1 Helmet	Signal Black (RAL 9004) H3	70006118
Busch Protective ATR-1 Helmet	Red (RAL 3020) H3	70006119
Busch Protective ATR-1 Helmet	Zinc Yellow (RAL 1018) H3	70006120
Busch Protective ATR-1 Helmet	White (RAL 9016) H3	70006121
Busch Protective ATR-1 Helmet	Sky Blue (RAL 5015) H3	70006122
Busch Protective ATR-1 Helmet	Pure Orange (RAL 2004) H3	70006123
Busch Protective ATR-1 Helmet	High-Visibility Yellow + Photoluminescent (RAL 1026) H2	70006134
Busch Protective ATR-1 Helmet	High-Visibility Yellow + Photoluminescent (RAL 1026) H3	70006137
Busch Protective ATR-1 Helmet	High-Visibility Yellow + Photoluminescent (RAL 1026) H1	70006140

Item Name	Item No.
Bollé Chronosoft H Safety Glasses (with CRM-1 connection)	80002213
Bollé Optical Prescription Insert	80002214
UVEX Megasonic Wildland (with CRM-1 connection) ^{1,2}	–
CGC-1 Protective Cover for Safety Glasses	80001711
CTV-1 PC 2 SC 70 Eye Protection Visor – Size H1	70009216
CTV-1 PC 2 SC 70 Eye Protection Visor – Size H2/H3	70009224
CTV-1 PC 2 STD 120 Face Protection Visor – Size H1	70009220
CTV-1 PC 2 STD 120 Face Protection Visor – Size H2/H3	70009228
CTV-1 WM Wire Mesh Visor H1	70001670
CTV-1 WM Wire Mesh Visor H2	70001671
CTV-1 WM Wire Mesh Visor H3	70001696
CTV-1 EV Electrician / Sun Protection Visor – Size H2/H3	70009348
MSP-1 Sun Protection Filter (Sunglass) Set	70001524
CHP-1 Passive Ear Muff Hearing Protection with COM-1 Rail Adapter	70001672
SAVOX Noise-COM 200 with QR4 Nexus Connector (4-pin)	70001641
SAVOX Noise-COM 200 with Angled 3.5 mm Jack (3-pin), detachable cable	70001642
SAVOX Noise-COM 200 with NEXUS (4-pin) NATO U174 Wiring	70002048
SAVOX Noise-COM 200 with NEXUS (4-pin) 3M Peltor Wiring	70002220
SAVOX Noise-COM 200 with NEXUS (5-pin) DELSAR Wiring	70002219
CWS-1 Wildland Hood / Fire Protection Hood	80002101
CTN-1 E Neck Protector	70001102
CCH-1 Adapter for HOLMCO Scorpion Headset	80002021
NEXTORCH oStar Headlamp ²	–
Princeton Tec VIZZ-II MLPS LED Headlamp	80001973
Princeton Tec Ghost X LED Headlamp	80002642
USH Universal Adapter	80002297
COM-1 Rail Adapter	70000705
CNB-1 Label Plate for Helmet Front Mount USH (Blank)	80002301
CHE-3 Strap Extension	70001700
Rear Hook-and-Loop Strip 120 × 20 mm – Spare Part	70002072

¹ Available from 2026

² Please purchase directly from the manufacturer

Item Name	Item No.
TSB-1 XL Helmet Bag, black	80001606
TSB-1 Standard Helmet Bag, black	80000467
TAG-1 Accessory Bag for Protective Helmet	80001763
TSP-1 Helmet Bag with Drawstring	80001629
TVB-1 L Visor Box, Large	80002525
TVB-1 S Visor Box, Small	80002524
Helmet Mounting Ring	80001789
Reflective Sticker Set for ATR-1, yellow – spare part	70001682
Reflective Sticker Set for ATR-1, silver – spare part	80002217
Application of customer-specific stickers – service	70002119
CPP-1 Soft Pad Set – spare part	70000179
EPP-1 Set – spare part	70009244
2 x 18 mm EPP Pad Set – spare part	70001702
Replacement Strap H1, CRD-1 SV Harness System – spare part	70009165
Replacement Strap H2, CRD-1 SV Harness System – spare part	70009176
Replacement Strap H3, CRD-1 SV Harness System – spare part	70009177
G-Hook – spare part	80000999
FR Strap Pad for 16 mm Webbing – spare part	80002205
CAH-2 Helmet Holder	70001353
Bollé Rail Mounting Element (set of 2) – spare part	80002216
Savox Hygiene Kit for Noise-COM 200 – spare part	80002174
Savox Battery Cover for Noise-COM 200 (set of 2) – spare part	80002175
Savox HT Mic Foam for Noise-COM 200 (set of 10) – spare part	80002176
Savox Boom Mic Wind Cover for Noise-COM 200 (set of 5) – spare part	80002177
UK 2AA eLED Helmet Lamp, neon yellow	80002310
Helmet Mount for UK 2AA / 3AA / 4AA Lamps	80002308
CTV-1 PPSU 2 SC 70 H1 Eye Protection Visor ³	70009218
CTV-1 PPSU 2 SC 70 H2/H3 Eye Protection Visor ³	70009226
CTV-1 PPSU 2 STD 120 H1 Face Protection Visor ³	70009222
CTV-1 PPSU 2 STD 120 H2/H3 Face Protection Visor ³	70009230
3M Peltor X4PE Earmuffs with Busch Rail Adapter ⁴	70001697

³ Planned / in development

⁴ Available from Q3 2026



ABOUT BUSCH PROTECTIVE



“Our products are excellent – and we say that with pride.”

For more than 45 years, Busch PROtective has stood for the highest standards of quality and innovation in protective helmets. Whether for police forces, fire brigades, or emergency services, our helmets are designed to reliably protect users in extreme situations.

From our beginnings in motorcycle helmets to today's advanced protective systems, Busch PROtective has grown into an internationally recognized manufacturer of head protection. Today, professionals around the world rely on our products – from specialized police units to fire services and technical rescue teams.

All of our helmets are developed in Germany and manufactured in Europe and the United States. We place the greatest emphasis on safety, comfort, and real-world usability. Every innovation is created in close cooperation with the people who rely on our helmets in daily operations.

Our values are clear:

- **Dedication** – We believe our work makes a real difference.
- **Innovation** – We develop technologies that set new standards.
- **Trust** – We build long-term partnerships with those who depend on us.

PROTECT WHAT MATTERS

Social Media

We hope you enjoyed our catalog. This year, we will be introducing additional new products to the market. Staying up to date is worth it – follow us on social media.

Let's connect!

Instagram



Facebook



LinkedIn



Youtube



Legal Notice

© 2025 Busch PROtective Germany GmbH & Co. KG
Im Heidkamp 16, 33334 Gütersloh, Germany
Phone: +49 (0)5241 50009-0
Email: info@busch-protective.com
Represented by Busch PROtective Verwaltungs GmbH,
represented by Managing Director Edwin Busch

Copyright

This publication, including all content, is protected by copyright. All rights reserved. Any reproduction, duplication, or distribution – in whole or in part – in any form (print, photocopy, electronic systems, etc.) without the publisher's prior written consent is prohibited. All translation rights reserved.

Disclaimer

This publication has been prepared with the utmost care. Nevertheless, printing errors or inaccuracies cannot be completely ruled out. The publisher assumes no liability for the accuracy, completeness, or timeliness of the content, nor for any damages or consequential damages arising from the use of this catalog.

Technical changes as well as changes in design, color, or product specifications are subject to change without notice. Use of the information and implementation of the content is at the user's own risk.

Responsibility for the content of external websites referenced in this catalog lies solely with their respective operators. Despite careful review, we assume no liability for the content of external links.

Publisher:

Busch PROtective Germany GmbH & Co. KG,
Im Heidkamp 16, 33334 Gütersloh, Germany

Concept & Editorial: Jędrzej Marzęcki

Layout & Design: Jana Hiebsch

Text: Christian Jährling, Jędrzej Marzęcki

Image Credits:

p. 3 Jędrzej Marzęcki for Busch PROtective

p. 6 Die Seenotretter – DGzRS

p. 7 (top left) Jędrzej Marzęcki for Busch PROtective

p. 7 (bottom right) Jan-Niklas Kuhn for Busch PROtective

p. 17 Alexandra Bardon

All product images: Jan-Niklas Kühl for Busch PROtective

(except p. 28 bottom © Nextorch, p. 29 © Princeton Tec)

p. 41 Jan-Niklas Kühl

First edition, October 2025

